

# H.265 5M IP IR BULLET CAMERA

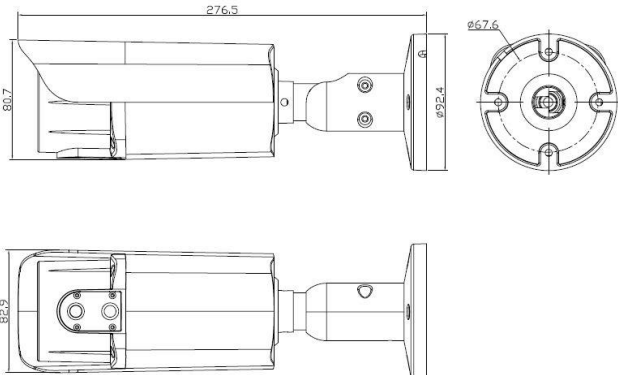
## VVK-NB520VIR



### Feature

- 1/2.8" 5M Sony Image Sensor IMX335
- 3.6mm Mega Pixel Fixed Lens
- Digital Noise Reduction -2D,3D
- WDR
- Privacy Zone
- Motion Detection
- D-fog
- 20 pcs Array IR LEDs, IR distance 15-20 meters
- PoE support IEEE802.3af
- ONVIF Profile S

### Dimension



### Specification

Camera	
Image Sensor	1/2.8" 5.69M Sony Image Sensor IMX335
Effective Pixels	2704(H) X 2104(V), 5.69 Mega Pixels
Scanning System	Progressive Scan
Privacy Mask	On / Off (4 Area Selection )
Motion Detection	On / Off
Electronic Shutter	Automatic: Min. Manual: Min. 1/30 sec ~ Max. 1/30,000 sec
Language	•Korean •English •Japanese •French •Germany
IR LED	20 pcs Array IR LEDs
WDR	DOL True-WDR
White Balance	Manual / Auto / Daylight / Cloudy / Tungsten / Sunset
Visibility Range	15~20M
Lens Type	3.6mm Mega Pixel Fixed Lens
Power Supply	DC 12V ± 10% / 1.0A
Power Consumption	DC 12V / 550mA
Operating Temp.	-10 °C ~ +50 °C
Operating Humidity	Less than 90%
Dimension	82.9(W) × 80.7(H) × 276.5(D)mm
Weight	Approx. 840(g)

Hardware	
Ethernet Interface	RJ-45 (10/100 BASE-T)
PoE Support	IEEE 802.3af

Alarm(Optional)	
In / Out	1 TTL inputs and 1 TTL output

Video	
Resolution	2592x1944 (5M), 2592X1520 (4M), 2592X1458 (3.8M), 2304X1296 (3M), 1920x1080 (HD1080), 1280x720 (H720), 1024X768 (XGA), 960X540 (960H), 854X480 (WVGA), 640x480 (VGA), 640x360 (nHD), 352X240 (CIF)
Max. Frame rate	Up to 30fps@2592x1944p
Video Compression	H265, H264, Motion JPEG

Audio(Optional)	
Audio	Line In / Line Out

General	
IP	IPv4
Protocol	TCP/IP, HTTP, RTP/RTSP,UDP, DHCP, FTP, SMTP, NTP, ARP, ICMP, DDNS, ONVIF
ONVIF	Yes

※ Design and specifications are subject to change without notice.