

# H.265 2M IP IR BULLET CAMERA

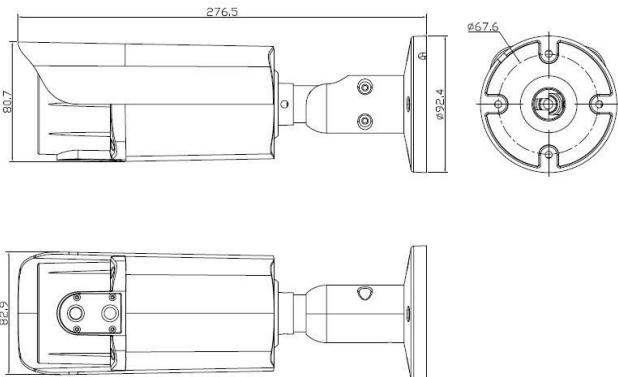
## VVK-NB220VZIR



### Feature

- 1/2.8" 2M Sony Image Sensor IMX307
- 2.8~12mm DC Auto Iris Filter Removable
- Motorized Zoom Lens
- Digital Noise Reduction -2D,3D
- WDR
- Privacy Zone
- Motion Detection
- D-fog
- 20 pcs Array IR LEDs, IR distance 15-20 meters
- PoE support IEEE802.3af
- ONVIF Profile S

### Dimension



### Specification

Camera	
Image Sensor	1/2.8" 2M Sony Image Sensor IMX307
Effective Pixels	1945(H) x 1097(V), 2.13 Mega Pixels
Scanning System	Progressive Scan
Privacy Mask	On / Off (4 Area Selection )
Motion Detection	On / Off
Electronic Shutter	Automatic: Min. Manual: Min. 1/30 sec ~ Max. 1/30,000 sec
Language	•Korean •English •Japanese •French •Germany
IR LED	20 pcs Array IR LEDs
WDR	DOL True-WDR
White Balance	Manual / Auto / Daylight / Cloudy / Tungsten / Sunset
Visibility Range	15~20M
Lens Type	2.8~12mm Mega Pixel Fixed Lens
Power Supply	DC 12V ± 10% / 1.0A
Power Consumption	DC 12V / 550mA
Operating Temp.	-10 °C ~ +50 °C
Operating Humidity	Less than 90%
Dimension	82.9(W) x 80.7(H) x 276.5(D)mm
Weight	Approx. 840(g)

Hardware	
Ethernet Interface	RJ-45 (10/100 BASE-T)
PoE Support	IEEE 802.3af

Alarm(Optional)	
In / Out	1 TTL inputs and 1 TTL output

Video	
Resolution	1920x1080(Full-HD),1280x720(HD), 1024x576,768x432,704x392, 640x360,384x216
Max. Frame rate	Up to 30fps@1920x1080p
Video Compression	H265, H264, Motion JPEG

Audio(Optional)	
Audio	Line In / Line Out

General	
IP	IPv4
Protocol	TCP/IP, HTTP, RTP/RTSP,UDP, DHCP, FTP, SMTP, NTP, ARP, ICMP, DDNS, ONVIF
ONVIF	Yes

※ Design and specifications are subject to change without notice.