

5M IP Bullet Camera

2.8mm Fixed Lens

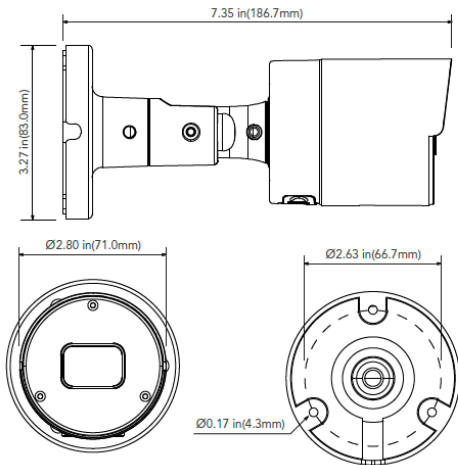


Feature

- 5MP (2592 x 1944) @ 30fps
- Max. Resolution: 2592 x 1944
- Supports Smart H.265/H.264 Encoding
- True Day & Night ICR
- IP67 Ingress Protection
- 30M IR Distance
- Fixed 2.8mm Lens
- 3D DNR, True WDR, HLC, BLC and ROI Encoding
- Operating Temperature: -30°- 55°C
- DC12V / PoE (802.3af, ≤6W)

Dimension

Unit : inch (mm)



VVK-NSB51F

Specification

CAMERA	
Image Sensor	1/2.7" Progressive Scan CMOS
Resolution	5MP
Image Size	2592 x 1944
Min. Illumination	Color: 0.05lux @ F1.2(AGC ON) BW: 0lux w I R ON
Shutter Speed	1/20,000s ~ 1/5s
Slow Shutter	Supported
IR Distance	30M
Lens	Fixed 2.8mm
Field of View	Horizontal: 99°, Vertical: 72°, Diagonal: 131°
WDR	120dB
VIDEO STREAM	
Max. Image Resolution	2592 x 1944 @ 30fps
Supported Resolutions	2592 x 1944, 2592 x 1520, 2304 x 1296, 2048 x 1535, 1920 x 1080, 1280 x 720, 640 x 480, 320 x 240
NETWORK	
Ethernet	1 x RJ45 10M / 100M Ethernet Port
ONVIF	ONVIF (Profile S/G/T,20.06)
Protocol	HTTP, HTTPS, FTP, SMTP, UPnP, SNMP, DNS, DDNS, NTP, RTSP, RTP, TCP/IP, PPPoE, DHCP
Security	IP Address Filter; Complicated Password; Authenticated Username and Password
IMAGE	
Day & Night	IR cut filter with auto switch (Day/Night/Auto/Schedule)
Language	Support for English and Korean
VIDEO ANALYTICS	
Supported Recorders	Diversity Series
On-Board Storage	Micro SD slot, up to 256GB
Alarm/Audio	No / Built-in Microphone
Hardware Reset	Yes
Smart Alarm	Detection (PD&VD) Perimeter Intrusion Detection (PID) Line Crossing Detection (LCD) Cross Counting (CC) Stationary Object Detection (SOD) Heat Map (HM) Crowd Density Detection (CD)
Smart Analytics	Queue Length Detection (QD) license Plate Detection (LPD) Rare Sound Detection (RSD)
GENERAL	
Angle Adjustment	Any Angle
Input Voltage	DC 12V / PoE (802.3af)
Power Consumption	≤6W
Ingress Protection	IP67
Weight	Approx. 400g
Working Temperature	-30°~55°
Dimensions	186.7mm x 83.0mm