

5M IP Bullet Camera

2.7-13.5mm Motorized Lens

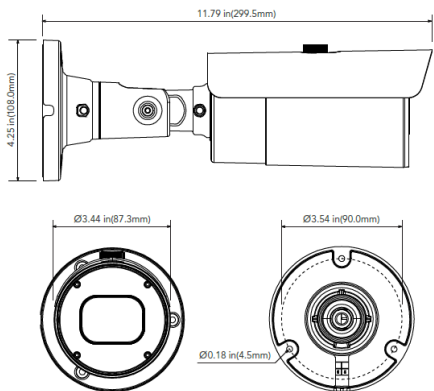


Feature

- 5MP (2592 x 1920) @ 30fps
- Max. Resolution: 2592 x 1920
- Supports Smart H.265/H.264 Encoding
- True Day & Night ICR
- 45M IR Distance
- Motorized 2.7mm - 13.5mm Lens
- 3D DNR, DWDR, HLC, BLC and ROI Encoding
- Supports Triple Streams
- Supports Audio Input and Output
- Supports Alarm Output and Input
- IP67 Ingress Protection
- DC12V / PoE (802.3af)
- Built-in MicroSD Card Slot
- Built-in Reset Button

Dimension

Unit : inch (mm)



VVK-NSB51Z

Specification

CAMERA

Image Sensor	1/2.7" Progressive Scan CMOS
Resolution	5MP
Image Size	2592 x 1944
Min. Illumination	Color: 0.05lux @ F1.2(AGC ON) BW: 0lux w IR ON
Shutter Speed	1/20,000s ~ 1/5s
Slow Shutter	Supported
IR Distance	45M
Lens	Motorized 2.7 - 13.5 mm
Field of View	Horizontal: 101 ~ 32°, Vertical: 71 ~ 23°, Diagonal: 129 ~ 40°
WDR	120dB

VIDEO STREAM

Max. Image Resolution	2592 x 1944 @ 30fps
Supported Resolutions	2592 x 1944, 1920 x 1080, 1280 x 720, 640 x 480, 320 x 240

NETWORK

Ethernet	1 x RJ45 10M / 100M Ethernet Port
ONVIF	ONVIF Profile S / G
Protocol	HTTP, HTTPS, FTP, SMTP, UPnP, SNMP, DNS, DDNS, NTP, RTSP, RTP, TCP/IP, PPPoE, DHCP
Security	IP Address Filter; Complicated Password; Authenticated Username and Password

IMAGE

Day & Night	IR cut filter with auto switch (Day/Night/Auto/Schedule)
Language	Support for English and Korean

VIDEO ANALYTICS

Supported Recorders	Diversity Series
On-Board Storage	Micro SD slot, up to 256GB
Alarm/Audio	1 input, 1 output / 1 input (RCA), 1 output (RCA)
Hardware Reset	Yes
Smart Alarm	Face Recognition (FR) Human & Vehicle Detection (PD&VD) Perimeter Intrusion Detection (PID) Line Crossing Detection (LCD) Cross Counting (CC)
Smart Analytics	Stationary Object Detection (SOD) Heat Map (HM) Crowd Density Detection (CD) Queue Length Detection (QD) license Plate Detection (LPD) Rare Sound Detection (RSD)

GENERAL

Angle Adjustment	Any Angle
Input Voltage	DC 12V / PoE (802.3af)
Power Consumption	≤6W
Ingress Protection	IP67
Weight	Approx. 792g
Working Temperature	-30°~55°
Dimensions	299.5mm x 108.0mm